

Spraying nozzles Type U

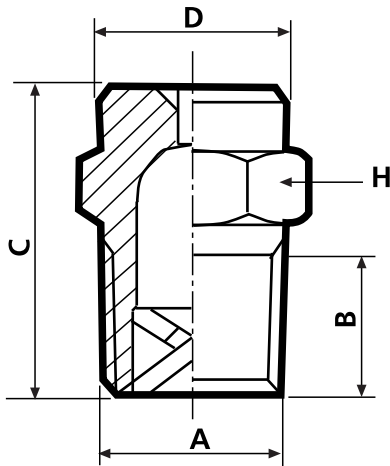
Full cone nozzle, for systems of refrigeration, washing and water curtain.

Usage: Washing process, cleaning, washing and refrigeration of gas, air elimination to scatter foam and creation and scattering of chemical reactor drops.

For the request of **adapted products**, the following specifications are needed:

- Material
- Pulverization angle
- Kind of nozzle
- Ring
- Flow (l/min or l/h)
- Work pressure

The nominal flow is pulverizing water in normal conditions in an aerial way.



Measures in mm

A	B	C	D	H
1/8 GAS	9	18	11	12
1/4 GAS	10	22	13	14
3/8 GAS	13	25	16	17
1/2 GAS	16	34	21	22
3/4 GAS	20	40	26	27

Material: Brass

Reference	Angle	Flow (l/min)		
		1 bar	3 bar	5 bar
U 2	60°	1,90	2,90	3,88
U 3	60°	2,40	3,70	4,65
U 5	60°	3,00	4,70	5,80
U 6	60°	3,80	5,90	7,25
U 7	60°	4,75	7,40	9,10
U 8	60°	6,05	9,41	11,45
U 10	75°	6,60	10,50	13,40
U 12	90°	6,80	10,60	13,50