

# Spraying nozzles Type NC 3/8"

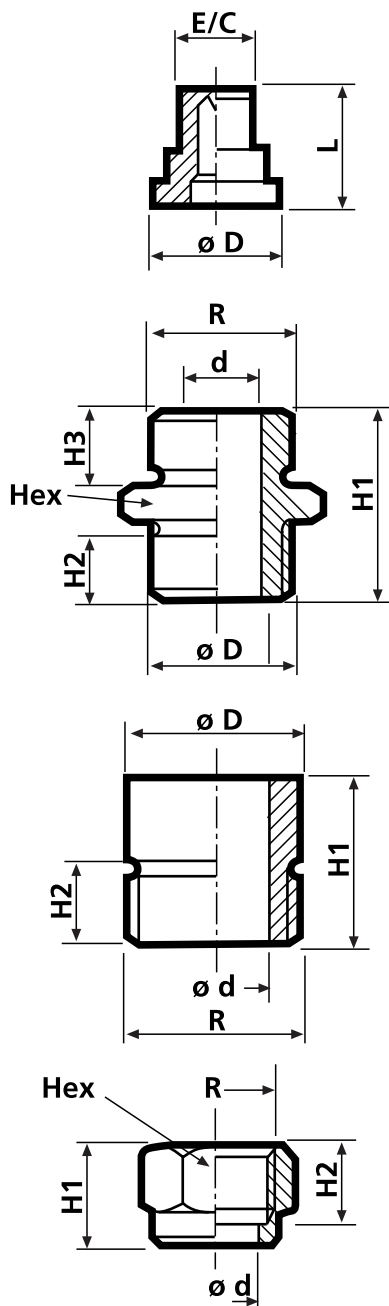
Flat spraying nozzle, used in systems of refrigeration, cleaning and water curtain.  
Set up with joint nut and screw.

Usage: In process of washing, turning off and refrigeration. Cleaning, washing and refrigeration of gas.

For the request of **adapted products**, the following specifications are needed:

- Material
- Pulverization angle
- Kind of nozzle
- Ring
- Flow (l/min or l/h)
- Work pressure

The nominal flow is pulverizing water in normal conditions in an aerial way.



### Nozzle measures in mm

$\varnothing D$	L	E/C
14,8	12,5	12

Material: Brass or inox

### Joint nut measures with double ring in mm

Hex	H1	H2	H3	d	R
20	25	7	10	10,5	3/8" G

Material: Brass or inox

### Joint nut measures with single ring in mm

$\varnothing D$	H1	H2	$\varnothing d$	R
17	18	10	7,5	3/8" G

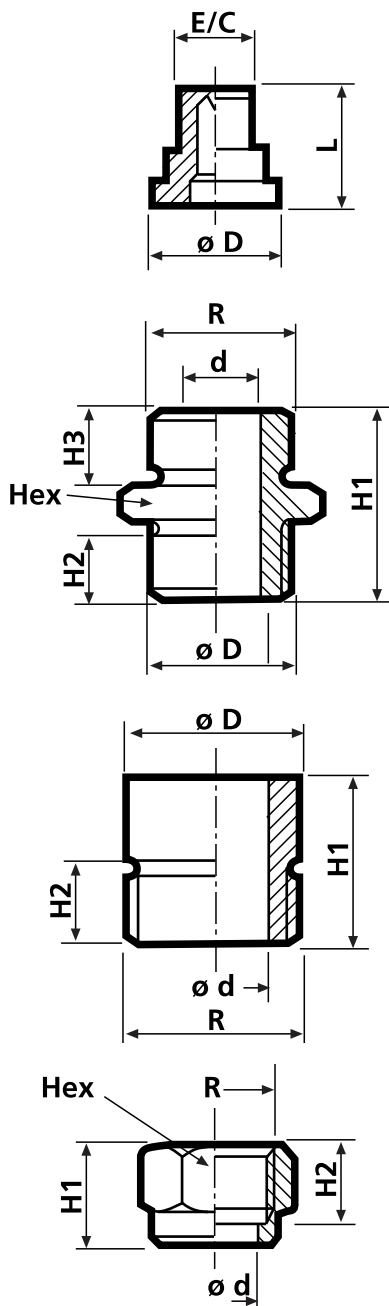
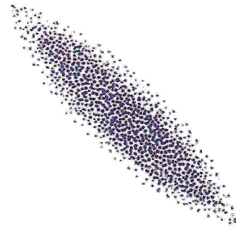
Material: Brass or inox

### Screw measures in mm

R	Hex	H1	H2	$\varnothing d$
3/8" G	22	13	10	12,5

Material: Brass

Reference	Angle	Flow (l/min)		
		1,5 bar	3 bar	5 bar
02.30	30°	1,15	2	2,50
03.30	30°	1,75	3	3,95
05.30	30°	2,80	5	6,30
08.30	30°	4,50	8	9,95
10.30	30°	5,65	10	12,65
12.30	30°	7,10	12	15,80



Reference	Angle	Flow (l/min)		
		1,5 bar	3 bar	5 bar
02.45	45°	1,15	2	2,50
03.45	45°	1,75	3	3,95
05.45	45°	2,80	5	6,30
08.45	45°	4,50	8	9,95
10.45	45°	5,65	10	12,65
12.45	45°	7,10	12	15,80
02.60	60°	1,15	2	2,50
03.60	60°	1,75	3	3,95
05.60	60°	2,80	5	6,30
08.60	60°	4,50	8	9,95
10.60	60°	5,65	10	12,65
12.60	60°	7,10	12	15,80
02.90	90°	1,15	2	2,50
03.90	90°	1,75	3	3,95
05.90	90°	2,80	5	6,30
08.90	90°	4,50	8	9,95
10.90	90°	5,65	10	12,65
12.90	90°	7,10	12	15,80
02.120	120°	1,15	2	2,50
03.120	120°	1,75	3	3,95
05.120	120°	2,80	5	6,30
08.120	120°	4,50	8	9,95
10.120	120°	5,65	10	12,65
12.120	120°	7,10	12	15,80

**Nozzle measures in mm**

øD	L	E/C
14,8	12,5	12

Material: Brass or inox

**Joint nut measures with double ring in mm**

Hex	H1	H2	H3	d	R
20	25	7	10	10,5	3/8" G

Material: Brass or inox

**Joint nut measures with single ring in mm**

øD	H1	H2	ød	R
17	18	10	7,5	3/8" G

Material: Brass or inox

**Screw measures in mm**

R	Hex	H1	H2	ø d
3/8" G	22	13	10	12,5

Material: Brass

The information included in this catalogue is merely informative. TOBE reserves the right to introduce modifications without prior notice. For any enquiry about any product that it is not included in this catalogue, please do not hesitate to contact with TOBE.