

Spraying nozzles Type HU

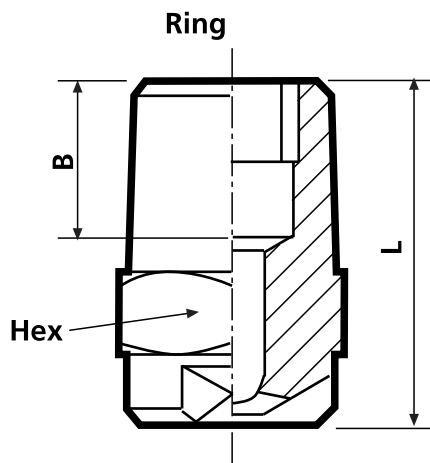
Flat spraying nozzle, for systems of refrigeration, cleaning and water curtain.

Usage: In the process of washing, refrigeration, purification systems, and dust control.

For the request of **adapted products**, the following specifications are needed:

- Material
- Pulverization angle
- Kind of nozzle
- Ring
- Flow (l/min or l/h)
- Work pressure

The nominal flow is pulverizing water in normal conditions in an aerial way.

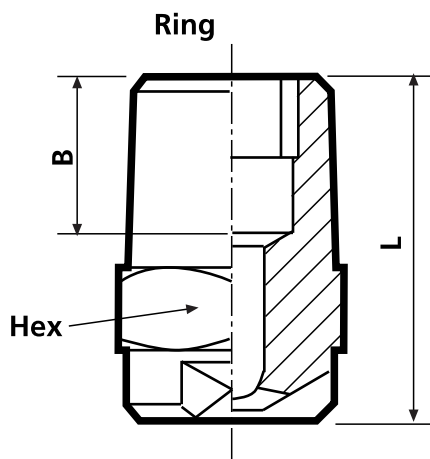
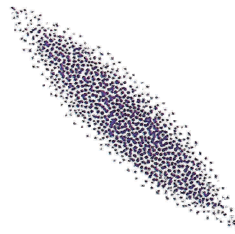


Measures in mm

Ring	L	B	Hex
1/8" G	20	9	12
1/4" G	22	10	14
3/8" G	25	13	17
1/2" G	38	16	22
3/4" G	50	20	27

Material: Brass and inox

Reference	Ring					Angle	Flow (l/min)		
	1/8	1/4	3/8	1/2	3/4		1 bar	3 bar	5 bar
2,4-15	√	√				15°	1,34	2,40	3,10
3,2-15	√	√				15°	1,80	3,20	4,10
3,9-15	√	√	√			15°	2,30	3,90	5,10
5,9-15	√	√	√			15°	3,36	5,90	7,59
7,9-15	√	√	√			15°	4,61	7,90	10,24
11,8-15	√	√	√			15°	6,81	11,80	15,31
15,8-15		√	√			15°	9,10	15,80	20,00
19,7-15		√	√	√		15°	11,40	19,70	25,00
24-15		√	√	√		15°	13,71	24	31
28-15			√	√		15°	16	28	36
39-15			√	√		15°	23	39	51
47-15			√	√		15°	28	47	60
59-15			√	√		15°	34	59	76
79-15					√	15°	46	79	102
99-15					√	15°	57	99	127



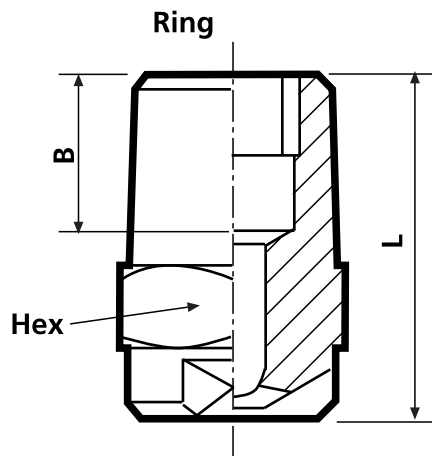
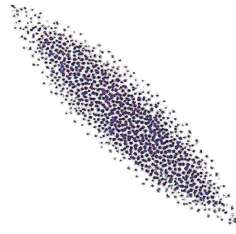
Measures in mm

Ring	L	B	Hex
1/8" G	20	9	12
1/4" G	22	10	14
3/8" G	25	13	17
1/2" G	38	16	22
3/4" G	50	20	27

Material: Brass and inox

Reference	Ring					Angle	Flow (l/min)		
	1/8	1/4	3/8	1/2	3/4		1 bar	3 bar	5 bar
2,4-30	√	√				30°	1,34	2,40	3,10
3,2-30	√	√				30°	1,80	3,20	4,10
3,9-30	√	√	√			30°	2,30	3,90	5,10
5,9-30	√	√	√			30°	3,36	5,90	7,59
7,9-30	√	√	√			30°	4,61	7,90	10,24
11,8-30	√	√	√			30°	6,81	11,80	15,31
15,8-30		√	√			30°	9,10	15,80	20,00
19,7-30		√	√	√		30°	11,40	19,70	25,00
24-30		√	√	√		30°	13,71	24	31
28-30			√	√		30°	16	28	36
39-30			√	√		30°	23	39	51
47-30			√	√		30°	28	47	60
59-30			√	√		30°	34	59	76
79-30					√	30°	46	79	102
99-30					√	30°	57	99	127
2,4-45	√	√				45°	1,34	2,40	3,10
3,2-45	√	√				45°	1,80	3,20	4,10
3,9-45	√	√	√			45°	2,30	3,90	5,10
5,9-45	√	√	√			45°	3,36	5,90	7,59
7,9-45	√	√	√			45°	4,61	7,90	10,24
11,8-45	√	√	√			45°	6,81	11,80	15,31
15,8-45		√	√			45°	9,10	15,80	20,00
19,7-45		√	√	√		45°	11,40	19,70	25,00
24-45		√	√	√		45°	13,71	24	31
28-45			√	√		45°	16	28	36
39-45			√	√		45°	23	39	51
47-45			√	√		45°	28	47	60
59-45			√	√		45°	34	59	76
79-45					√	45°	46	79	102
99-45					√	45°	57	99	127
2,4-60	√	√				60°	1,34	2,40	3,10
3,2-60	√	√				60°	1,80	3,20	4,10
3,9-60	√	√	√			60°	2,30	3,90	5,10
5,9-60	√	√	√			60°	3,36	5,90	7,59
7,9-60	√	√	√			60°	4,61	7,90	10,24
11,8-60	√	√	√			60°	6,81	11,80	15,31
15,8-60		√	√			60°	9,10	15,80	20,00
19,7-60		√	√	√		60°	11,40	19,70	25,00

The information included in this catalogue is merely informative. TOBE reserves the right to introduce modifications without prior notice. For any enquiry about any product that it is not included in this catalogue, please do not hesitate to contact with TOBE.



Measures in mm

Ring	L	B	Hex
1/8" G	20	9	12
1/4" G	22	10	14
3/8" G	25	13	17
1/2" G	38	16	22
3/4" G	50	20	27

Material: Brass and inox

Reference	Ring					Angle	Flow (l/min)		
	1/8	1/4	3/8	1/2	3/4		1 bar	3 bar	5 bar
24-60		√	√	√		60°	13,71	24	31
28-60			√	√		60°	16	28	36
39-60			√	√		60°	23	39	51
47-60			√	√		60°	28	47	60
59-60			√	√		60°	34	59	76
79-60					√	60°	46	79	102
99-60					√	60°	57	99	127
2,4-90	√	√				90°	1,34	2,40	3,10
3,2-90	√	√				90°	1,80	3,20	4,10
3,9-90	√	√	√			90°	2,30	3,90	5,10
5,9-90	√	√	√			90°	3,36	5,90	7,59
7,9-90	√	√	√			90°	4,61	7,90	10,24
11,8-90	√	√	√			90°	6,81	11,80	15,31
15,8-90		√	√			90°	9,10	15,80	20,00
19,7-90		√	√	√		90°	11,40	19,70	25,00
24-90		√	√	√		90°	13,71	24	31
28-90			√	√		90°	16	28	36
39-90			√	√		90°	23	39	51
47-90			√	√		90°	28	47	60
59-90			√	√		90°	34	59	76
79-90					√	90°	46	79	102
99-90					√	90°	57	99	127
2,4-120	√	√				120°	1,34	2,40	3,10
3,2-120	√	√				120°	1,80	3,20	4,10
3,9-120	√	√	√			120°	2,30	3,90	5,10
5,9-120	√	√	√			120°	3,36	5,90	7,59
7,9-120	√	√	√			120°	4,61	7,90	10,24
11,8-120	√	√	√			120°	6,81	11,80	15,31
15,8-120		√	√			120°	9,10	15,80	20,00
19,7-120		√	√	√		120°	11,40	19,70	25,00
24-120		√	√	√		120°	13,71	24	31
28-120			√	√		120°	16	28	36
39-120			√	√		120°	23	39	51
47-120			√	√		120°	28	47	60
59-120			√	√		120°	34	59	76
79-120					√	120°	46	79	102
99-120					√	120°	57	99	127

The information included in this catalogue is merely informative. TOBE reserves the right to introduce modifications without prior notice. For any enquiry about any product that it is not included in this catalogue, please do not hesitate to contact with TOBE.